

COS1521 (496298)
RCO1521 (482639)

May/June 2017

COMPUTER SYSTEMS: FUNDAMENTAL CONCEPTS

Duration : 2 Hours

100 Marks

EXAMINERS :
FIRST : MRS HW DU PLESSIS
SECOND : MRS P LE ROUX

Closed book examination.

This examination question paper remains the property of the University of South Africa and may not be removed from the examination venue.

This paper consists of 28 pages and the instructions for the completion of a mark-reading sheet.

Please complete the attendance register on the back page, tear it off and hand it to the invigilator.

Instructions:

1. All the questions in this paper are **multiple-choice**.
2. There are 80 questions in total. Your total mark out of 80 will be converted to a final exam mark out of 100.
3. Answer all the questions. There is also space for rough work.
4. Using a pencil, answer all the questions on the mark-reading sheet.
5. Remember to fill in the **unique number** (see top of page) on the mark-reading sheet.
6. You are not allowed to use a calculator.

EVERYTHING OF THE BEST!

Please note: Questions 4, 56 and 68 did not count for the exam. Question 4 did not have a correct option. Question 56 was not part of the syllabus. Question 68 had a spelling mistake, and could be ambiguous for some students.

[TURN OVER]

This paper consists of 80 multiple-choice questions.
Each question is worth 1 mark.
Your total out of 80 will be converted to give a final exam mark out of 100.

Mark only one alternative per question with a pencil on the mark-reading sheet.
(Remember to fill in the unique number.)

Section A: Computer background, number systems, data storage, operations on data and logic **(27 marks)**

QUESTION 1 

Which one of the following scientists was not involved in the development of electronic computers in 1930-1950?

1. John Atanasoff
2. Alan Turing
3. Konrad Zuse
4. Blaise Pascal

QUESTION 2 

During which computer generation were the higher level languages COBOL and FORTRAN invented?

1. Second generation
2. Third generation
3. Fourth generation
4. Fifth generation

QUESTION 3 

Convert the octal number $(602)_8$ to a decimal number.

1. $(96)_{10}$
2. $(386)_{10}$
3. $(387)_{10}$
4. $(394)_{10}$

[TURN OVER]

QUESTION 4 

Convert the hexadecimal number $(DFE)_{16}$ to an octal number.

1. $(6376)_8$
2. $(6476)_8$
3. $(6736)_8$
4. $(6746)_8$

QUESTION 5 

Convert the decimal number $(14.125)_{10}$ to a binary number.

1. $(1110.1)_2$
2. $(1110.111)_2$
3. $(1110.001)_2$
4. $(1110.1011)_2$

QUESTION 6 

Which one of the following number representations is invalid?

1. $(263)_8$
2. $(812)_8$
3. $(1011)_2$
4. $(FFF)_{16}$

Rough work:

[TURN OVER]

QUESTION 7 

Which one of the following statements regarding the representation of an unsigned integer is FALSE?

1. An unsigned integer can never be negative.
2. An unsigned integer can only take positive values greater than 0.
3. Most computers define a constant called the *max unsigned integer* to determine the biggest integer that can be represented.
4. A computer that uses 8 bits to store an unsigned integer, will store $(10111)_2$ as 00010111.

QUESTION 8 

Using 8-bit memory and the two's complement representation method to store negative numbers, which of the following is the correct representation for the decimal number -104?

1. 10011000
2. 01101000
3. 10010000
4. 10010111

QUESTION 9 

Which one of the following statements regarding floating point representation is FALSE?

1. Floating point representation is also called scientific notation.
2. A floating point number is made up of a sign, a shifter and a fixed point number.
3. Negative numbers cannot be represented in floating point representation.
4. The floating point representation of 9,876,000.00 is + (for the sign), 6 (for the shifter) and 9.876 (as the fixed point number).

QUESTION 10 

Which one of the following statements regarding the storage of images is FALSE?

1. The higher the resolution of an image, the less discontinuity in reproduced images can be recognised by the human eye.
2. The disadvantages of vector graphics are that the file size is big and rescaling is difficult to do.
3. GIF and JPEG are two standards for image encoding.
4. While a True-Colour scheme uses more than a million colours, an indexed colour scheme normally uses about 256 colours.

[TURN OVER]

QUESTION 11



Calculate: $(110011)_2 + (1101)_2$.

- 1. $(1000000)_2$
- 2. $(1000110)_2$
- 3. $(1001010)_2$
- 4. $(1100000)_2$

QUESTION 12



If the input is 11111010 and the output is 01001000 , which of the following is NOT a valid mask to apply to the input to get to the output?

- 1. 01001100
- 2. 01001000
- 3. 11001100
- 4. 01001001

Rough work:

[TURN OVER]

QUESTION 13 

What is the simplest form of the Boolean function $x'y + x'y' + x$?

1. 0
2. 1
3. $y' + y$
4. $x' + x$

QUESTION 14 

By applying de Morgan's theorem and involution, which of the following expressions represents the same Boolean function as $[(A'B) + C]'$:

1. $(A + B') + C'$
2. $(AB') + C'$
3. $(A' + B) \cdot C'$
4. $(A + B') \cdot C'$

QUESTION 15 

What is the simplest form of the Boolean function $y + x'yz + xyz$?

1. yz
2. 1
3. $y(1 + z)$
4. y

Rough Work

[TURN OVER]

QUESTION 16 

The following question refer to the incomplete truth table below for the expression

$$G = B' C + AC'$$

What is the expression G in sum of minterms form?

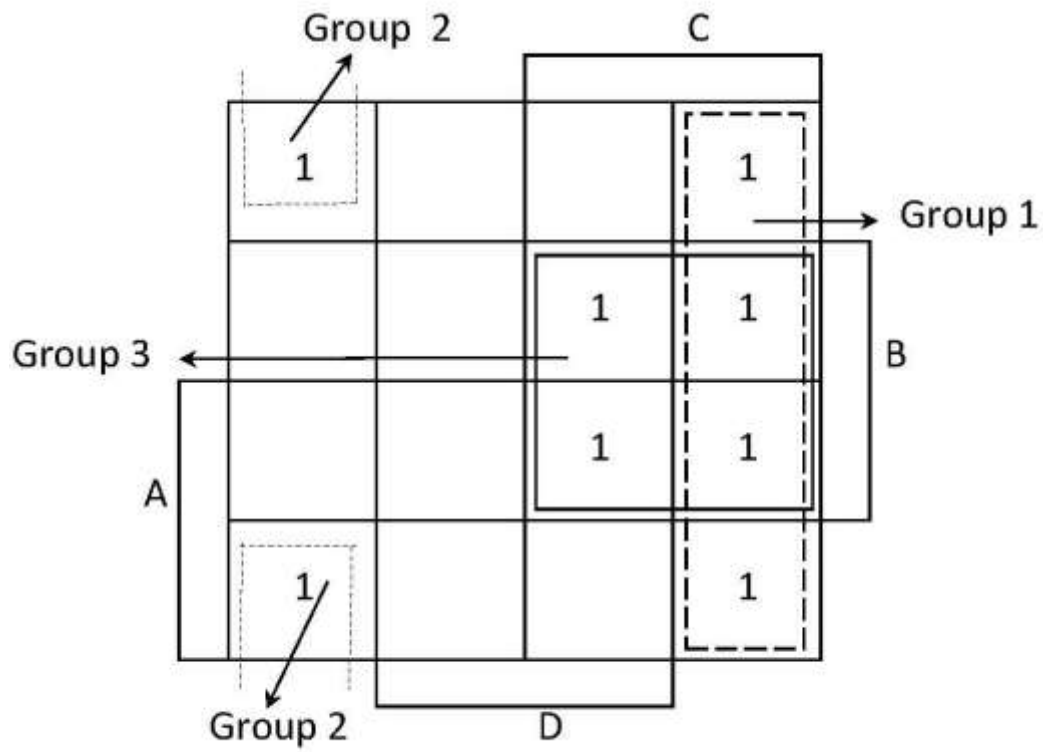
A	B	C	G	minterms	m-notation
0	0	0			m_0
0	0	1	1		m_1
				$A'BC'$	
0	1	1			m_3
1	0	0			
1	1	1			

1. $m_5 + m_1 + m_2 + m_0$
2. $m_5 + m_1 + m_6 + m_4$
3. $m_7 + m_3 + m_2 + m_0$
4. $m_7 + m_3 + m_6 + m_4$

Rough work:

[TURN OVER]

Questions 17 and 18 refer to the Karnaugh diagram below:



QUESTION 17 

Which term represents Group 1?

1. C
2. D'
3. CD'
4. BCD'

QUESTION 18 

Which term represents Group 3?

1. BC
2. BD'
3. AB
4. BCD

[TURN OVER]

QUESTION 19



Which of the Karnaugh diagrams below represents the expression $X = A + BC + AB$?

1.

	$B'C'$	$B'C$	BC	BC'
A'	1	1	1	1
A	0	0	1	0

2.

	$B'C'$	$B'C$	BC	BC'
A'	0	0	1	1
A	1	1	1	1

3.

	$B'C'$	$B'C$	BC	BC'
A'	0	0	1	0
A	0	1	1	1

4.

	$B'C'$	$B'C$	BC	BC'
A'	0	0	1	0
A	1	1	1	1

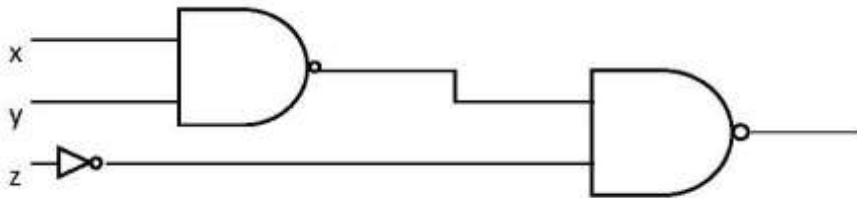
Rough work:

[TURN OVER]

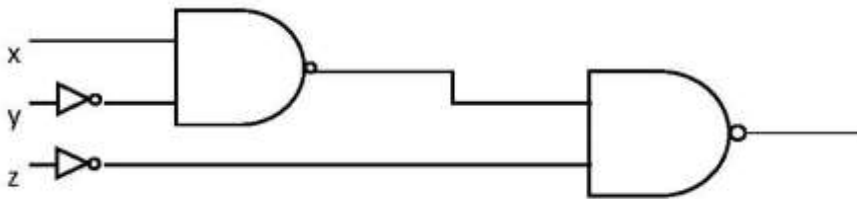
QUESTION 20 

Which logic diagram presents the logic expression $((x \cdot y') \cdot z)'$?

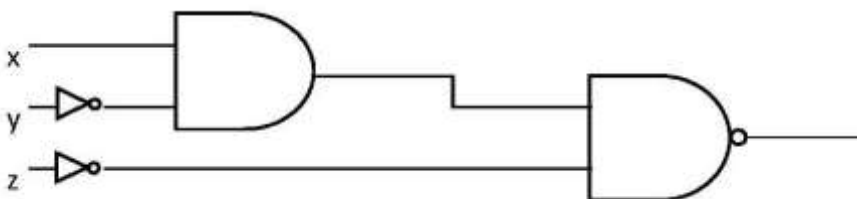
1.



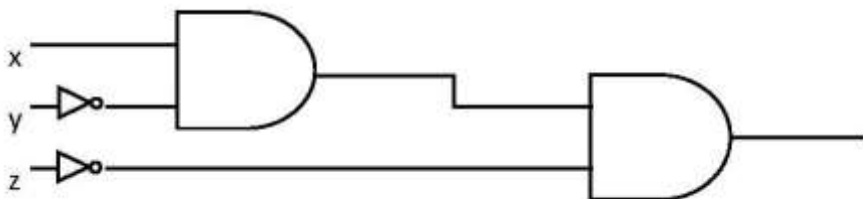
2.



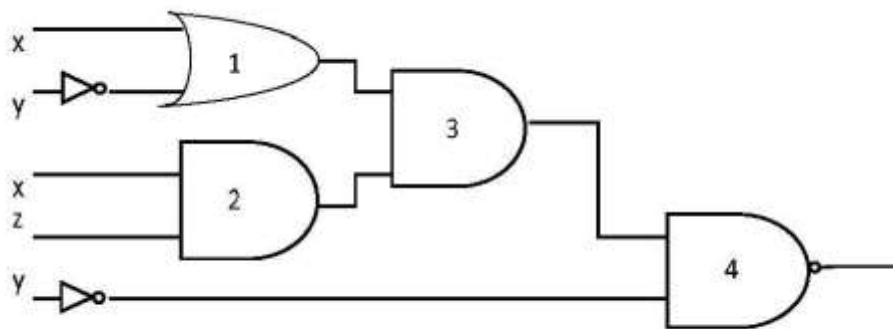
3.



4.

**[TURN OVER]**

Questions 21, 22 and 23 refer to the following combinational logic circuit:



QUESTION 21 

Gate 4 is an example of a _____ gate.

1. AND
2. NAND
3. NOR
4. OR

QUESTION 22 

What is the output of Gate 3?

1. $(x + y') \cdot (x \cdot z)$
2. $(x \cdot y') \cdot (x \cdot z)$
3. $(x + y') + (x \cdot z)$
4. $(x \cdot y') + (x \cdot z)$

QUESTION 23 

What is the output of Gate 4?

1. $(((x \cdot y') + (x \cdot z)) \cdot y')'$
2. $(((x + y') + (x \cdot z)) \cdot y')'$
3. $(((x \cdot y') \cdot (x \cdot z)) \cdot y')'$
4. $(((x + y') \cdot (x \cdot z)) \cdot y')'$

[TURN OVER]

Questions 24, 25, 26 and 27 refer to the following scenario:

A group of students are allowed to have a food stall at the upcoming soccer event at the university, only if they sell all of the following items at their stall:

1. Pancakes
2. Hamburgers
3. Pizzas
4. Chips

Student A can make items 1 and 2. Student B can make items 3 and 4. Student C can make items 2 and 4, and student D can make items 1 and 3.

A Boolean function $F(A,B,C,D)$ is defined as follows: $F(A,B,C,D) = 1$ when all 4 items are available (and the food stall is therefore allowed) and $F(A,B,C,D) = 0$ when all 4 items are not available (and therefore the food stall is not allowed).

Different combinations inputs for A, B, C and D are given in the tables provided in the following FOUR questions. Which alternative shows the correct outputs for F in EACH of the following FOUR questions?

QUESTION 24 

				Alternative 1	Alternative 2	Alternative 3	Alternative 4
A	B	C	D	F	F	F	F
1	0	0	0	1	0	0	1
0	1	1	0	0	0	1	1

QUESTION 25 

				Alternative 1	Alternative 2	Alternative 3	Alternative 4
A	B	C	D	F	F	F	F
0	0	1	1	1	0	0	1
1	1	0	0	0	0	1	1

QUESTION 26 

				Alternative 1	Alternative 2	Alternative 3	Alternative 4
A	B	C	D	F	F	F	F
1	1	0	0	1	0	0	1
0	0	0	1	0	0	1	1

[TURN OVER]

Section B: Computer systems, organisation and networks**(18 marks)****QUESTION 28** 

Which one of the following is not part of the Central Processing Unit (CPU) of a computer?

1. Registers
2. Main memory
3. Arithmetic Logic Unit (ALU)
4. Control unit

QUESTION 29 

Which one of the following statements is TRUE about the cache?

1. Main memory is faster than cache memory.
2. The CPU is slower than cache memory.
3. Cache memory contains a full copy of main memory.
4. Cache memory is small in size.

QUESTION 30 

Which one of the following statements regarding magnetic storage devices is FALSE?

1. A magnetic tape uses an indexed addressing mechanism.
2. Magnetic disks are faster than magnetic tapes, but much more expensive.
3. A read/write head extracts data from the magnetised surfaces of a magnetic disk.
4. The performance of a magnetic disk is determined by the rotational speed, the seek time and the transfer time of the data.

QUESTION 31 

Which one of the following statements regarding commonly used controllers is FALSE?

1. An SCSI controller interface provides a daisy-chained connection, with both ends of the chain connected to a terminator.
2. A FireWire interface can be used to connect up to 63 devices in a daisy chain or tree connection, using only one connection.
3. A Universal Serial Bus (USB) only connects high-speed devices to a computer bus.
4. An HDMI interface is used to transfer video data from a source to a compatible computer monitor, video projector, digital television or digital audio device.

QUESTION 32 

Direct Access memory (DMA) is one example of an input/output operation. Which of the following is FALSE for DMA?

1. DMA transfers large blocks of data between a high-speed I/O device and memory without passing through the CPU.
2. Registers are used to hold blocks of data before and after memory transfers.
3. During data transfer the CPU stops using the buses, so that the DMA controller can use them.
4. The DMA controller informs the CPU about the type of data transfer, the beginning address and the number of bytes to be transferred.

[TURN OVER]

QUESTION 33 

CISC and RISC are two commonly used computer architectures. Which one of the following is NOT a characteristic of the CISC architecture?

1. CISC has a large set of simple as well as complex instructions.
2. The CPU circuitry and the control unit for the CISC architecture have a very simple design.
3. The instructions performed by the CPU are called *micro-operations*, and the memory to hold the simple operations are called *micro-memory*.
4. CISC architecture has an overhead associated with micro-programming and access to micro-memory.

QUESTION 34 

Which protocol layer of the TCP/IP protocol suite does not need addresses?

1. Transport layer
2. Network layer
3. Data-link layer
4. Physical layer

QUESTION 35 

Which of the following statements regarding the application layer of the TCP/IP protocol suite is FALSE?

1. It provides services to the user using a logical connection.
2. Client-server and peer-to-peer are two application layer paradigms.
3. The application layer provides services to the transport layer.
4. New application protocols can easily be added to the internet.

QUESTION 36 

Which layer carries data packets from source to destination?

1. Transport layer
2. Network layer
3. Data-link layer
4. Physical layer

QUESTION 37 

Which layer uses the User Datagram Protocol (UDP)?

1. Transport layer
2. Network layer
3. Data-link layer
4. Physical layer

QUESTION 38 

Which layer uses a node-to-node communication format?

1. Transport layer
2. Network layer
3. Data-link layer
4. Physical layer

[TURN OVER]

QUESTION 39

Which of the following statements is NOT TRUE of coaxial cable?

1. It has a central core solid wire conductor.
2. It consists of a twisted pair of copper conductors.
3. The outer metallic wrapping serves as a second conductor.
4. Cable TV networks use coaxial cable.

QUESTION 40

Which of the following statements regarding the bootstrapping process of the operating system is FALSE?

1. The bootstrap process happens in two stages.
2. The bootstrap program is held in ROM memory.
3. A CPU counter is set to the first instruction of the bootstrap program.
4. The bootstrap program loads the operating system, and then starts its execution.

QUESTION 41

Which operating system is expected to do a task within a specific time-constraint?

1. Batch system
2. Real-time system
3. Distributed system
4. Personal system

QUESTION 42

Which of the following statements is NOT TRUE regarding the partitioning technique in multiprogramming?

1. Memory is divided in fixed-length sections.
2. Each section holds one program.
3. The CPU switches between programs.
4. CPU time allocated to each program can be controlled with priority levels.

QUESTION 43

Which of the following is NOT TRUE regarding demand segmentation?

1. The program is divided into modules, which are loaded into segments to execute.
2. Modules are loaded into memory, executed, and replaced by another module when completed.
3. Segments in memory do not have to be of the same size.
4. Different segments can contain modules of different programs.

[TURN OVER]

QUESTION 44 

Which of the following statements regarding a *program*, a *job* and a *process* is FALSE?

1. A program is non-active and is stored on disk.
2. A job is a program that has been selected for execution.
3. A job is always loaded in memory.
4. A process is a program in execution.

QUESTION 45 

Which of the following is NOT a function of the file manager?

1. It controls access to a file.
2. It maintains a queue of the order in which files may be accessed.
3. It supervises how and where files are stored.
4. It is responsible for archives and backups of files.

Section C: Computer algorithms, programming and software development**(18 marks)****QUESTION 46** 

A list contains the following elements:

9 12 13 15 17 22 24 25 29 31 35 40

At the beginning, $first = 1$, $mid = 6$ and $last = 12$. What are the values of $first$, mid and $last$ respectively after two more iterations of the binary search algorithm if the goal is 35?

1. 9, 10, 11
2. 9, 11, 12
3. 9, 10, 12
4. 10, 11, 12

[TURN OVER]

QUESTION 48

Which of the following statements regarding sorting algorithms is TRUE?

1. Insertion sort is the most efficient sorting algorithm.
2. Selection sort is more efficient than bucket sort.
3. Heap sort is less sufficient than bubblesort.
4. Merge sort is more efficient that selection sort.

QUESTION 49

Which of the following is NOT a construct used in programming for a structured program?

5. Structure chart
6. Sequence
7. Decision (selection)
8. Repetition (loop)

QUESTION 50

Which of the following statements is NOT TRUE regarding sub-algorithms?

1. A structured algorithm is broken down into sub-algorithms.
2. Sub-algorithms perform specific functions and are thus more understandable.
3. Sub-algorithms are written once in the program, and can be executed multiple times.
4. A sub-algorithm cannot further be divided into more sub-algorithms.

QUESTION 51

Which one of the following statements is TRUE regarding search methods?

1. When doing a binary search in a list of numbers, the numbers need not be sorted.
2. Binary search is quicker than sequential search.
3. A sequential search and a binary search make use of a *first*, *mid* and *last* position while searching.
4. The list for a sequential search must be sorted.

QUESTION 52

Which part of the translation process of a program uses tokens to, for example, create an assignment statement such as $x = 1$?

1. Lexical analyser
2. Syntax analyser
3. Semantic analyser
4. Code generator

[TURN OVER]

QUESTION 53

Which of the following is not a programming paradigm?

1. The sequential paradigm
2. The procedural paradigm
3. The functional paradigm
4. The declarative paradigm

QUESTION 54

Polymorphism used in object-oriented programming can be described as the process of ...

1. ...defining many classes to represent objects.
2. ...defining many methods to perform different functions.
3. ...allowing an object to inherit characteristics from other objects.
4. ...defining several operations with the same name that can perform different things in related classes.

QUESTION 55

Which one of the following statements regarding programming languages is TRUE?

1. Prolog is a procedural programming language.
2. Ada is a functional programming language.
3. Pascal is a procedural programming language.
4. LISP is an object-oriented programming language.

QUESTION 56

Which of the following is NOT true for control statements in a program?

1. A control statement consists of a set of statements.
2. A control statement always changes the value of a variable in memory.
3. Depending on a Boolean value, the order in which statements in a control statement are executed can change.
4. The two constructs selection and repetition, are used in control statements.

QUESTION 57

Which of the following diagrams are used in the object-oriented analysis of the analysis phase of the software life-cycle?

1. Data flow diagrams
2. Class diagrams
3. Entity-relationship diagrams
4. State diagrams

[TURN OVER]

QUESTION 58 

Which one of the following statements regarding the waterfall model for the software life cycle is FALSE?

1. The waterfall model is a very popular model for software development.
2. The analysis phase must be completed before the design phase can start.
3. The implementation phase cannot start before the design phase is complete.
4. The testing phase can be done at any time during the process, i.e. the design phase can be tested even before the implementation phase is complete.

QUESTION 59 

Which one of the following diagrams is NOT used during the analysis phase of the procedure-oriented analysis?

1. Data flow diagram
2. Entity-relationship diagram
3. Use-case diagram
4. State diagram

QUESTION 60 

Which of the following factors is NOT one of the main software quality factors?

1. Operability
2. Modularity
3. Maintainability
4. Transferability

QUESTION 61 

Which one of the following testing methods is not part of black-box testing?

1. Control structure testing
2. Exhaustive testing
3. Random testing
4. Boundary-value testing

QUESTION 62 

Which one of the following actions is NOT part of system documentation?

1. Requirements and methods chosen for the analysis phase must be clearly documented.
2. The tools used in the design phase must be documented and explained.
3. The programming code must be documented with comments and descriptive headers.
4. The installation and servicing of the software system must be documented.

[TURN OVER]

QUESTION 63

Which one of the following factors is part of the maintainability aspect of software quality?

1. Security
2. Timeliness
3. Flexibility
4. Reusability

Section D: Computer data and files structure, and databases**(17 marks)****QUESTION 64**

Which one of the following statements is FALSE about arrays?

1. An array consists of a number of elements.
2. An element in an array is referenced by its index.
3. The index of an array is also called a subscript.
4. An array is exactly the same as a record.

QUESTION 65

Which of the following statements is TRUE about records?

1. A record is a collection of elements, possibly of different types.
2. An element of a record is referred to as for example *record1[name]*.
3. A record has a name, and so does each field in the record.
4. A record will be used to define a class of 40 students.

QUESTION 66

We want to assign the value 2016 to a field called *date* in a record called *exam*. Which of the following options would be the correct way?

1. `date[exam] ← 2016`
2. `exam[date] ← 2016`
3. `date.exam ← 2016`
4. `exam.date ← 2016`

QUESTION 67

Which one of the following statements regarding linked lists is FALSE?

1. Each element of a linked list consists of at least a data portion and a link.
2. A link contains the address of the next element in the linked list.
3. Two different links can point to the same element.
4. Each element in the list, including the last element, points to its successor.

[TURN OVER]

QUESTION 68

Which one of the following statements regarding arrays and linked lists is FALSE?

1. Both arrays and linked lists are representations of a list of items in memory.
2. The elements of arrays need not be stored contiguously, because we can get hold of the value of an element via the index.
3. The nodes of linked lists need not be stored contiguously, because each node contains the address of the next node.
4. Link lists can only be searched sequentially.

QUESTION 69

In which one of the following cases would a linked list NOT be suitable to use?

1. A large number of insertions and deletions are needed.
2. Data must be searched very often.
3. Lists can start with no nodes and can grow as nodes are needed.
4. Lists are read sequentially via linked addresses and updated accordingly.

QUESTION 70

In a sequential file, the end of the file is indicated by...

1. ...a counter containing the number of records in the file.
2. ...an end-of-file marker at the end of all the records.
3. ...an address of the last record stored in the beginning of the file.
4. ...zero in the last records.

QUESTION 71

Which one of the following statements regarding indexed and hashed files is NOT TRUE?

1. An indexed file consists of a data file and an index file.
2. An index file can be accessed from disk if a data record needs to be accessed or changed.
3. A hashed file does not need an index file.
4. Data in a hashed file is reached via a mathematical function.

QUESTION 72

In file processing, collision occurs when...

1. ...the file is not big enough to hold all the data records.
2. ...two files are open in memory at the same time.
3. ...the data in the file contains two synonyms, i.e. two keys collide at the home address.
4. ...the prime area is inaccessible.

[TURN OVER]

QUESTION 73

Which one of the following is not a valid collision resolution method?

1. Bucket hashing
2. Modulo division hashing
3. Open addressing
4. Linked list resolution

QUESTION 74

Which one of the following is not a UNIX directory type?

1. Root directory
2. Home directory
3. Working directory
4. Primary directory

QUESTION 75

Which level of a database defines the logical view of the data?

1. Architectural
2. Internal
3. Conceptual
4. External

QUESTION 76

A database management system consists of...

1. ...data and software.
2. ...data, software and hardware.
3. ...data, software, hardware and users.
4. ...data, software, hardware, users and procedures.

QUESTION 77

Which one of the following operations is not a unary operation on a relational database?

1. Update
2. Select
3. Extract
4. Project

[TURN OVER]

QUESTION 78

Which one of the following statements is NOT an advantage of databases?

1. Less redundancy
2. Efficiency
3. Consistency avoidance
4. Data integrity

QUESTION 79

Which one of the following statements regarding distributed and object-oriented databases is not TRUE?

1. In a fragmented distributed database, data is locally stored at the corresponding site.
2. In a fragmented distributed database, data is localised and global data cannot be accessed.
3. In a replicated distributed database, a modification to data is repeated at all replica site for security reasons.
4. In an object-oriented database, objects with attributes and their relations are defined in a relational model.

QUESTION 80

Which one of the following is not a valid level in database architecture?

1. Internal level
 2. Conceptual level
 3. User view level
 4. External level
-