

APY1501

(480861)

May/June 2016

**THE ANTHROPOLOGICAL STUDY OF CULTURE IN A MULTICULTURAL
CONTEXT**

Duration 2 Hours

60 Marks

EXAMINERS

FIRST

SECOND

MR GH MAREE

DR IE MARAIS

Closed book examination.

This examination question paper remains the property of the University of South Africa and may not be removed from the examination venue

This paper consists 21 of pages **PLUS** instructions for the completion of a mark reading sheet

PLEASE COMPLETE THE ATTENDANCE REGISTER ON THE BACK PAGE, TEAR OFF AND HAND TO THE INVIGILATOR

- 1 Answer **ALL** the questions **FILL IN YOUR ANSWERS ON THE MARK READING SHEET**
- 2 **ONLY ONE** option per multiple choice questions must be selected **NO MARKS** will be given if more than one option is included in an answer
- 3 All multiple choice questions count **ONE MARK PER QUESTION.**

QUESTION 1

Select the option that **CORRECTLY** completes the following statement

Anthropology

- a produces information about people and what people have in common
- b studies humankind everywhere, both past and present
- c investigates primarily the mental life of human beings through interpretive methods
- d studies where people live, the organisation of family life and the general features of people's languages

Select the **CORRECT** combination

- 1 a and b
- 2 c and d
- 3 a, b and d
- 4 a, b, c and d

QUESTION 2

Select the option that **CORRECTLY** completes the following statement

Sociocultural anthropologists focus on the

- 1 relation between language and the other aspects of the life of a society
- 2 lifestyles of the rich diversity of societies as they are found worldwide
- 3 influence of biological and hereditary characteristics on behaviour of members of a society
- 4 material remains of societies which are collected during excavation of sites where people once lived

QUESTION 3

Select the option that **CORRECTLY** completes the following statement

Biological anthropology

- a investigates the effect of the environment on human populations
- b provides information about the limitations of humans' physical structure
- c investigates the fossil remains of prehistoric human-like beings
- d. provides information about the origin of language

Select the **CORRECT** combination.

- 1 a and c
- 2 b and d
- 3 a, b and d
- 4 a, b, c and d

[TURN OVER]

QUESTION 4

Select the option that **CORRECTLY** completes the following statement

The anthropological fieldwork methodology is **distinguished from** the methodologies of other disciplines that study human beings by its

- 1 method of gathering information mainly through quantitative techniques
- 2 statistical analysis of the unique customs of nonliterate people found in remote corners of the world
- 3 surveying method of the material remains of human settlements that provide important information on the living conditions of societies
- 4 firsthand, direct and intensive contact with people in order to observe and describe their culture

QUESTION 5

Which one of the following options regarding the anthropological concept of the 'field' is **CORRECT**?

The anthropological concept of the '**field**'

- 1 has attained a very narrow meaning in sociocultural anthropology
- 2 exclusively applies to remote rural contexts where humans still practise traditional lifestyles
- 3 includes every place or context where humans are working, interacting or living
- 4 excludes institutional settings, such as multinational and sport organisations

QUESTION 6

Read the following paragraph and then answer the question that follows

With the colonisation of Africa, the European colonial governments regarded their own sociocultural systems as "civilised" and superior to those of the Africans and in many cases initiated concerted processes of Christianisation, education, and more pertinently, general sociocultural change

What do the perceptions and behaviour of colonial governments described above exemplify?

- 1 Multivocality
- 2 Ethnocentrism
- 3 Cultural relativism
- 4 Reflexivity

[TURN OVER]

QUESTION 7

Read the following paragraph of anthropologist Mike De Jongh regarding his research amongst the Karretjie People of the Great Karoo and then answer the question that follows

During the years of my own involvement with the Karretjie People I have been continually constrained to interrogate this very issue the entire enterprise has been an enriching and life-changing experience – for me But have such personal benefits had a counterpoint in any gains on the part of the Karretjie People (i.e. did they reap any benefits)?

Which issue of 'the compassionate turn' in anthropology is illustrated by the anthropologist's view above?

The issue of

- 1 relativism
- 2 multivocality
- 3 narrative ethnography
- 4 reciprocity

QUESTION 8

Which one of the following statements regarding 'holism' is **INCORRECT**?

- 1 The term holism is contentious because it carries the implication that people's lives are interconnected in an almost ideal, balanced and perfectly functional way
- 2 The holistic approach requires an anthropologist to take the whole context of a particular group of people into account when he/she studies the group
- 3 The notion of holism, in contrast to the notion of contextualisation, emphasises dynamic relationships between phenomena
- 4 In terms of a holistic approach, knowledge from various spheres of activity should be applied to the understanding of any particular aspect on human behaviour

QUESTION 9

From the options below, select the concept that **CORRECTLY** completes the following statement

The anthropological principle of _____ allows anthropologists to be perceptive of the specific way in which societies develop their sociocultural systems according to their needs and local situations

- 1 holism
- 2 cross-cultural comparison
- 3 cultural relativism
- 4 ethnocentrism

[TURN OVER]

QUESTION 10

Select the option that **CORRECTLY** completes the following statement

The research technique by means of which anthropologists trace social relations in a wider context than those based on kinship, is known as

- 1 social network analysis
- 2 the life history method
- 3 the genealogical method
- 4 in-depth interviewing

QUESTION 11

Select the option that **CORRECTLY** completes the following statement

The **reflexive approach** in anthropological research can be described as a(n)

1. interpretation of the culture being studied according to the standards and values of the researcher
- 2 subjective involvement in the lives of the people being studied
- 3 objective interpretation of culture using anthropological research methods
- 4 awareness of how members of a society understand their own roles within their society

QUESTION 12

Read the following paragraph and then select the option that **CORRECTLY** completes the statement that follows

I can still remember how I experienced some anxiety during a service of the Zionist Christian Church whilst I was doing fieldwork in the Limpopo Province. Although I had done a fair amount of reading about the services of this particular church, I did not know what to do when the minister asked us to pray. When I stood up, which is what I was accustomed to, the other people kneeled, lent forward and said something. The service lasted about six hours during which people came and left. I however did not know if I, as guest, could just disappear considering the hearty welcome I received at the beginning.

The experience of the anthropologist, outlined in this paragraph, is best described by the term

- 1 culture shock
- 2 reflexivity
- 3 participant observation
- 4 disorientation

[TURN OVER]

QUESTION 13

According to the applied anthropologist, John van Willigen, which of the following are fields of application and practical work by anthropologists?

- a Conflict resolution
- b Wildlife management
- c Design and architecture
- d Cultural tourism
- e Missionary work

Choose the **CORRECT** combination

- 1 a and d
- 2 a, d and e
- 3 b, c and d
- 4 a, b, c, d and e
- 5 a, b and e

QUESTION 14

Select the option that **CORRECTLY** completes the following statement

A recent survey of the University of South Africa's Bureau of Market Research indicates that despite the significant growth in the number of so-called 'black diamonds' in the country,

- 1 more than half of all South Africans still fall in the lowest income bracket
- 2 the skills shortage is worsening and preventing millions of South Africans from gaining access to the modern knowledge-economy
- 3 socioeconomic inequalities in the country are greater than ever
- 4 1 and 3
- 5 1, 2 and 3

QUESTION 15

Which of the following is **NOT** applicable to the anthropologist's involvement in development projects?

- 1. Acting as a mediator between the local community and the planners of a project
- 2. Doing social impact studies to avoid disrupting the local community during the implementation of a project
- 3. Co-operating with other scientists as part of a multidisciplinary team which is planning a development project
- 4. Providing technical information on the geographical area targeted for the development project

[TURN OVER]

QUESTION 16

From the options below, select the terms that **CORRECTLY** complete the following statement

Humans belong to the **family** and **subfamily** .

- 1 anthropoidea hominoidea
- 2 hominidae homininae
- 3 homininae homo
- 4 homo homo sapiens sapiens

QUESTION 17

Which of the following characteristics was/were associated with *Australopithecus africanus*?

- 1 Big-game hunting in cold and warm climates
- 2 The use of tools with finely shaped projectile points
- 3 Speech and language
- 4 The use of Oldowan tools

QUESTION 18

According to physical anthropologists, which of the following statements regarding 'human nature' is/are **CORRECT**?

- a There are limitations on human behaviour and only specific variations are possible
- b The capacity of speech is what distinguishes humans from animals
- c Despite the huge diversity found among humans, they are remarkably similar
- d Human nature is unchangeable and characteristic of a specific group of people

Choose the **CORRECT** option

- 1 a, b and c
- 2 b and c
- 3 b
- 4 a, b, c and d
- 5 c

QUESTION 19

Which statement regarding scarification is **INCORRECT**?

Scarification

- 1 alters the appearance of people's bodies to comply with their sociocultural conceptions
- 2 dates back as far as the Upper Palaeolithic era
- 3 may be done to display a social identity in a physical way
- 4 is practised among a number of African societies, such as the Nuer and Dinka

[TURN OVER]

QUESTION 20

Which of the following statements regarding the concept of race is/are **CORRECT**?

- a The superficial or external features of humans in particular were initially used to classify them into races
- b The classification of humans according to racial characteristics is unscientific and often based on stereotypes that stem from prejudice
- c Scientists are more likely than lay people to classify humans into races on the grounds of their biological features
- d Inborn behavioural predispositions such as alcoholism and drug abuse can be linked to specific races

Choose the **CORRECT** option

- 1 a and b
- 2 b, c and d
- 3 a, b and c
- 4 a, b, c and d
- 5 a

QUESTION 21

Which of the following statements regarding communal and individual initiation of young people in Southern African communities are **CORRECT**?

- a Initiation forms an essential part of the transformation process by which young people are guided into adulthood
- b In most South African indigenous communities, the initiation process coincides with *physical puberty*
- c Circumcision is an integral part of male initiation, especially among the Zulu and the Swazi
- d Clitoridectomy is not usually part of female initiation, except probably among the Tsonga in Mozambique

Choose the **CORRECT** combination

- 1 a and b
- 2 c and d
- 3 a, b and d
- 4 a, b, c and d

[TURN OVER]

QUESTION 22

Which of the following statements regarding **body language** are **CORRECT**?

- a Full understanding of verbal messages is only possible with the aid of body language
- b It has been established that people in all societies nod their heads while saying "yes"
- c Societies world-wide have different norms with regard to the use of personal space
- d In Spain, England and the USA people stand close to each other, and even touch, when talking

Choose the **CORRECT** combination

- 1 a, c and d
- 2 a and d
- 3 c and d
- 4 a, b, c and d
- 5 a and c

QUESTION 23

Which of the following statements regarding castration are **CORRECT**?

Castration

- a is a way of permanently marking the body
- b is an extreme measure to control male sexuality
- c intends to make men more docile and less aggressive
- d is still practised in some 28 African countries

Select the **CORRECT** combination

- 1 a and d
- 2 b and c
- 3 a, b and c
- 4 a, b, c and d

QUESTION 24

Which one of the following statements regarding the characteristics of culture is **CORRECT**?

- 1 Although some facets of culture are biologically inherited, people mostly learn their culture by growing up in and with it
- 2 For a thought, action or belief to be regarded as cultural, it must be shared by all the members in a group
- 3 Because culture is shared by members of a community, its content is exactly the same for each individual of the community
- 4 The most important symbolic feature of culture is language which enables humans to transmit information

[TURN OVER]

QUESTION 25

Which one of the following statements regarding sociocultural systems is **INCORRECT**?

Sociocultural systems .

- 1 are manifestations of humans' creative responses to the challenge of adapting to the environment and to other humans
- 2 comprise actual human behaviour like speech and food production, and not the underlying ideas resulting in such behaviour
- 3 comprise sets of relationships in a particular sociocultural and natural context that are typical of a significant number of interacting humans in the context
- 4 may be used as a means to distinguish people from others and recognise people as belonging to the same self-identified group

QUESTION 26

Select the option that **CORRECTLY** completes the following statement

Objections to the use of the concept 'culture' include that it

- a fails to recognise similarities between humans and human groups
- b delineates differences between groups but not within groups
- c may be misused for political purposes and nationalism
- d is a very narrow concept with limited applicability to real-world contexts

Select the **CORRECT** combination

- 1 a and d
- 2 b and c
- 3 a, b and c
- 4 a, b, c and d

QUESTION 27

Select the option that **CORRECTLY** completes the following statement

"Humans across the world use a vast array of objects to shape and manipulate the environment to their benefit." These activities form part of the process of

- 1 adaptation
- 2 sociocultural adaptation
- 3 evolutionary development
- 4 natural selection

[TURN OVER]

QUESTION 28

Select the option that **CORRECTLY** completes the following statement

All of the following are functions of bodily decorations and adornments **EXCEPT**

- 1 accentuating erogenous areas of the body
- 2 indicating changes in the status of individuals
- 3 signifying gender equality in societies
- 4 designating occupations of individuals

QUESTION 29

Which one of the following statements regarding **gender and/or sexuality** is **CORRECT**?

- 1 In some societies the construction of gender identity is based on density of flesh and bone
- 2 The increasing objectification of male bodies is indicative of a shift in the sociocultural ideal of beauty from women to men
- 3 Most societies distinguish three gender categories, namely male, female and homosexual
- 4 It is generally accepted that gender is a set of variable social constructions which is placed on differentiated bodies

QUESTION 30

Select the option that **CORRECTLY** completes the following statement

Enculturation

- 1 refers to the human ability and capacity to imitate and learn from the environment
- 2 means that human behaviour is both inherited or instinctive and learned
- 3 is the way culture is transmitted or carried over from one generation to the next
- 4 refers to the acquisition of knowledge through informal learning activities only

QUESTION 31

Match the concept in Column A to the corresponding description in Column B and then select the **CORRECT** option

COLUMN A		COLUMN B	
a	Ethnicity	i	Hostile behaviour towards immigrants according to a particular identity which is ascribed to them
b	Xenophobia	ii	The belief that some humans are innately inferior to others
c	Racism	iii	The belief that one's own sociocultural system is superior to others
d	Ethnocentrism	iv	The sociocultural character or disposition of a group of people

Select the **CORRECT** combination

- 1 a-ii, b-iii, c-iv, d-i
- 2 a-iv, b-i, c-ii, d-iii
- 3 a-iii, b-ii, c-i, d-iv
- 4 a-i, b-ii, c-iii, d-iv

[TURN OVER]

QUESTION 32

Read the paragraph and then select the option that **CORRECTLY** completes the statement

Some time ago, 2000 Zimbabweans were driven out of an informal settlement near De Doorns in the Western Cape by local residents. The Zimbabweans' houses were also broken down and they were regarded as 'incomers' – people who come from outside, foreigners.

These perceptions and actions can best be typified as exemplifying

- 1 ethnocentrism
- 2 xenophobia
- 3 discrimination
- 4 racism

QUESTION 33

Which statement regarding the present-day use of the field of 'cultural heritage' is **INCORRECT**?

Today, cultural heritage is concerned with the

- 1 ways in which people's heritage is exposed through landscapes and architecture
- 2 exhibition of the exotic cultures of so-called primitive people
- 3 identification of sacred spaces – how 'space' is turned into 'place'
- 4 support of communities' claims for land or resources.

QUESTION 34

Select the option that **CORRECTLY** completes the following statement

The practice of dowry giving in the event of a marriage, as practised in India, parts of Eastern Europe, France and Italy, involves the transference of goods or money

- 1 from the bride's family to the bride herself
- 2 from the groom and his descent group to the bride's father
- 3 between the respective descent groups
- 4 from the bride's descent group to the groom's descent group

QUESTION 35

Select the option that **CORRECTLY** completes the following statement

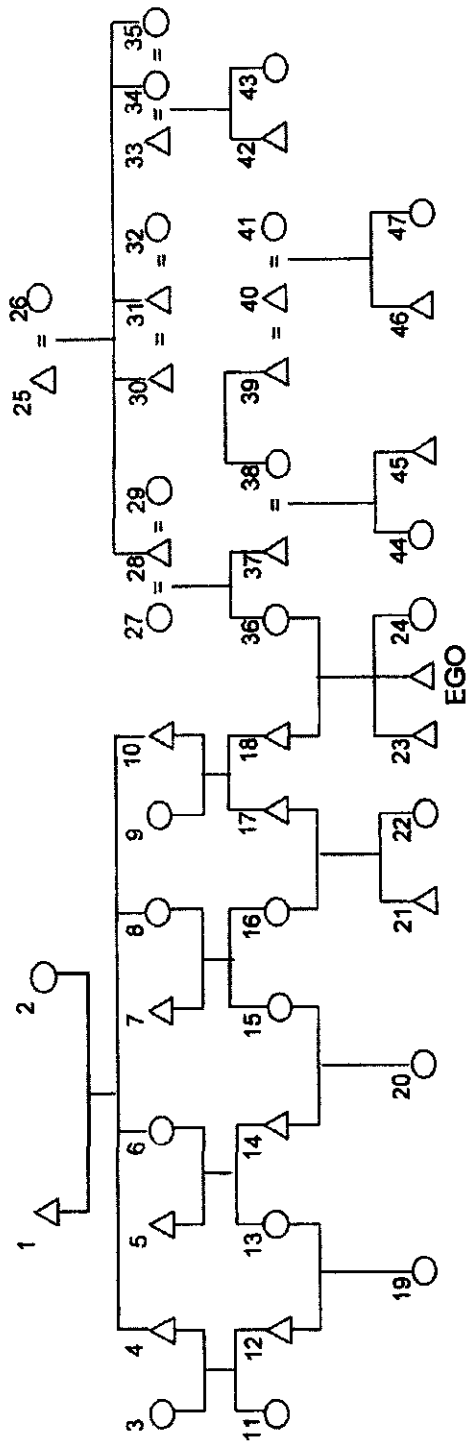
The practice in which a prospective bridegroom is expected to choose a bride from another descent group, but from within the village where he lives, is known as

- 1 lineage exogamy
- 2 sororal polygyny
- 3 local group endogamy
- 4 heterogeneous polyandry

[TURN OVER]

ANSWER QUESTIONS 36 TO 43 WITH REFERENCE TO THE FOLLOWING DIAGRAM.

[TURN OVER]



[TURN OVER]

QUESTION 36

Which of the following indicates the **relationship between 30 and EGO CORRECTLY?**

- 1 MoFaBr
- 2 FaSiSo
- 3 FaSiHu
- 4 MoBrWi

QUESTION 37

Through whom of the following persons would EGO trace his descent in a **double descent system?**

- 1 1 and 2, 9 and 10 as well as 18 and 36
- 2 1, 10 and 18 as well as 27 and 36
- 3 9, 10 and 18 as well as 27, 28 and 36
- 4 1, 10 and 18 as well as 26, 27 and 36

QUESTION 38

Who will exercise authority over EGO, 23 and 24 if they are members of a group with a **matrilineal descent system?**

- 1 18
- 2 36
- 3 27
- 4 37
- 5 26

QUESTION 39

Which of the following indicates the correct relationship between the following kin?

- 1 23 is a patrilineal kin member of 2
- 2 4 is a sibling of 8
- 3 4 is an affine of 8
- 4 23 is a parallel kin member of 2

QUESTION 40

Who is the **apical ancestor of the patrilineage** to whom 20 belongs?

- 1 10
- 2 1
- 3 5
- 4 4

[TURN OVER]

QUESTION 41

Select the option that **CORRECTLY** completes the following statement

The marital arrangements of which 41 in the diagram forms a part, is an example of

- 1 sororal polygyny
- 2 heterogeneous polyandry
- 3 polygyny
- 4 fraternal polyandry

QUESTION 42

Which of the following represents a **parallel-cousin marriage**? The union between

- 1 37 and 38
- 2 14 and 15
- 3 12 and 13
- 4 18 and 36

QUESTION 43

Which of the following would EGO **NOT** be able to marry if he is a **Xhosa-speaker**? Someone from the same clan as

- 1 3
- 2 11
- 3 7
- 4 15

QUESTION 44

Which of the following are core functions of the **Makhadzi** among the Venda?

- a Naming of children
- b Spiritual healing of clan members
- c Being present when traditional leaders are appointed and confirmed
- d Partaking when sacrifices are brought to the ancestor spirits

Choose the **CORRECT** combination

- 1 b and d
- 2 a and c
- 3 a, b, c and d
- 4 a, c and d

[TURN OVER]

QUESTION 45

Which one of the following statements regarding the **levirate** is **INCORRECT**?

- 1 The levirate is practised by certain Southern Nguni such as the Mpondo
- 2 A wife and her children are cared for by the deceased husband's kin group
- 3 The levirate is primarily a union between two descent groups
- 4 The brother or another male relative of the deceased man marries the widow so that he can raise children for the deceased

QUESTION 46

Which of the following marriage unions represents a continuation of marriage after death of one of the marriage partners?

- 1 Polygamy
- 2 Fraternal polyandry
- 3 Sororal substitution
- 4 Alliance endogamy
- 5 Sororal polygyny

QUESTION 47

Exogamy is a prohibition against marriage between members of a particular group such as a family, lineage or clan. Which of the following statements concerning exogamy is correct?

- 1 Because individuals are restricted in their choice of marriage partners, exogamy promotes competition among kin over marriage partners
- 2 Exogamy increases conflict in kin groups because the transfer of marriage goods to other kin groups has the result that they relinquish ownership of marriage goods
- 3 Exogamy is a phenomenon which is found among all indigenous groups of South Africa
- 4 Rules of exogamy do not necessarily coincide with incest prohibitions

QUESTION 48

Select the option that **CORRECTLY** completes the following statement

Among the Southern Ndebele, members of the Mahlangu and Kabinde clans may not intermarry. Apparently, this prohibition stems from the relationship between the two clans in terms of which

- 1 a member of the Kabinde clan acts as medicine man to the king, who is a member of the Mahlangu clan, and that the medicine used may be dangerous to such unions
- 2 a member of the Kabinde clan may substitute a member of the Mahlangu clan in a leviratic union
- 3 a marriage between members of these clans constitute incest because of the common origin of the two related clans
- 4 1 and 2

[TURN OVER]

QUESTION 49

Select the option that **CORRECTLY** completes the following statement

Magic is associated with .

- 1 an attitude of dependence
- 2 the intention to manipulate
- 3 personalised spiritual beings
- 4 a primitive code of ethics

QUESTION 50

Various theories have been proposed to explain the origin or religion. Match the theorist in Column A to the corresponding theory in Column B and then select the **CORRECT** option

COLUMN A	COLUMN B
a Edward Tylor	i Religion is born from the universal need to find comfort in time of crises
b Bronislaw Malinowski	ii Religion originates from society and serves social, rather than psychological, needs
c Sigmund Freud	iii Religion originated in people's speculation about dreams, trances and death.
d Emile Durkheim	iv Religion is a form of reversal to an infantile need for security and certainty

Choose the **CORRECT** combination

- 1 a i, b ii, c iv, d iii
- 2 a iii, b iv, c ii, d i
- 3 a ii, b iii, c i, d iv
- 4 a iii, b i, c iv, d ii

QUESTION 51

Which one of the following concepts represents the idea of the deity or gods **withdrawing from the world after the act of creation and of having no involvement in the daily life of people?**

- 1 Polytheism
- 2 Monotheism
- 3 Deism
- 4 Atheism
- 5 Theism

[TURN OVER]

QUESTION 52

Which one of the following statements that refer to **ideas, objects and concepts about the supernatural** is **CORRECT**?

- 1 A totem is an animal or plant that can be used by members of the totemic group for good or evil purposes
- 2 A fetish is the abode of influential ancestral spirits in some tribal groups and is kept in the homestead of the tribal leader
- 3 Amulets are objects that contain supernatural powers and ingredients through which the supernatural may be evoked
- 4 Mana is an impersonal power that is closely connected to the concept of taboo and therefore people with mana should be avoided

QUESTION 53

Which of the following use beings with supernatural characteristics and qualities to achieve their own evil purposes?

- 1 Witches
- 2 *Malopo*
- 3 Alien spirits
- 4 Sorcerers
- 5 Diviners

QUESTION 54

Select the option that **CORRECTLY** completes the following statement

Myths that explain the origin of death can be interpreted anthropologically as

- 1 explanations of how humans rationally and practically should deal with death
- 2 symbolically and poetically formulated understandings of the nature of death
- 3 primitive science
- 4 a mixture of superstition and irrational ideas

QUESTION 55

Which one of the following is **NOT** an example of a **ritual act**?

- 1 Purification to heal the body and spirit
- 2 Contracting a civil marriage in court
- 3 Confessing one's wrongdoings to a spiritual leader
- 4 Killing an animal for the benefit of a supernatural being

[TURN OVER]

QUESTION 56

Select the option that **CORRECTLY** completes the following statement

Rituals performed when migrant workers return home from the urban areas are examples of

- 1 cyclical rituals
- 2 occasional rituals
- 3 symbolic rituals
- 4 general rituals

QUESTION 57

Select the option that **CORRECTLY** completes the following statement

A **ritual leader** who claims to have supernatural powers of healing and imparts knowledge of the supernatural is a

- 1 herbalist
- 2 traditional healer
- 3 priest
- 4 shaman

QUESTION 58

Which one of the statements regarding the *malopo* cult is **INCORRECT**?

The *malopo* cult

- 1 *has therapeutic value* because it decreases stress and alienation in modern Northern Sotho society
- 2 *has largely replaced the traditional medical practices* of Northern Sotho-speakers because of changing perceptions of the causation of illness
- 3 *provides a source of income* for many women living in rural areas of the Limpopo and Mpumalanga provinces
- 4 *confirms the close ties between the living and the deceased* because the ancestor spirits are continuously consulted about decisions that must be made

[TURN OVER]

QUESTION 59

Which of the following statements regarding ritual are **CORRECT**?

- a A ritual may be a very complex activity involving large numbers of people
- b A ritual may involve a combination of actions, words and objects
- c The actions performed at a ritual are restricted to ritual occasions only
- d Ritual acts are always approved of by a particular community

Choose the **CORRECT** combination

- 1 a and b
- 2 c and d
- 3 a, b and c
- 4 a, b, c and d

QUESTION 60

Select the option that **CORRECTLY** completes the following statement

Religious fundamentalists

- 1 are generally regarded as antimodernists
- 2 emphasise the use of modern technology to achieve their religious objectives
- 3 identify themselves strongly with the larger religious groups from which they evolved
- 4 do not distinguish clearly between a secular and a sacred life

TOTAL: [60]

PART 1 (GENERAL/ALGEMEEN) DEEL 1

STUDY UNIT: PSY100-X
STUDIE EENHEID: PSY100-X

1

INITIALS AND SURNAME
VOORLETTERS EN VAN

3

DATE OF EXAMINATION
DATUM VAN EKSAMEN

4

PAPER NUMBER
VRAESTELNOMMER

2

EXAMINATION CENTRE (E.G. PRETORIA)
EKSAMENSENTRUM (BY PRETORIA)

5

STUDENT NUMBER
STUDENTENOMMER

6

UNIQUE PAPER NO.
UNIEKE VRAESTEL NR. #

8

7

c0 c1 c2 c3 c4 c5 c6 c7 c8 c9
c1 c1 c1 c1 c1 c1 c1 c1 c1 c1
c2 c2 c2 c2 c2 c2 c2 c2 c2 c2
c3 c3 c3 c3 c3 c3 c3 c3 c3 c3
c4 c4 c4 c4 c4 c4 c4 c4 c4 c4
c5 c5 c5 c5 c5 c5 c5 c5 c5 c5
c6 c6 c6 c6 c6 c6 c6 c6 c6 c6
c7 c7 c7 c7 c7 c7 c7 c7 c7 c7
c8 c8 c8 c8 c8 c8 c8 c8 c8 c8
c9 c9 c9 c9 c9 c9 c9 c9 c9 c9

9

c0 c1 c2 c3 c4 c5 c6 c7 c8 c9
c1 c1 c1 c1 c1 c1 c1 c1 c1 c1
c2 c2 c2 c2 c2 c2 c2 c2 c2 c2
c3 c3 c3 c3 c3 c3 c3 c3 c3 c3
c4 c4 c4 c4 c4 c4 c4 c4 c4 c4
c5 c5 c5 c5 c5 c5 c5 c5 c5 c5
c6 c6 c6 c6 c6 c6 c6 c6 c6 c6
c7 c7 c7 c7 c7 c7 c7 c7 c7 c7
c8 c8 c8 c8 c8 c8 c8 c8 c8 c8
c9 c9 c9 c9 c9 c9 c9 c9 c9 c9

For use by examination invigilator
Vir gebruik deur eksamenopsiener

IMPORTANT

- 1 USE ONLY AN HB PENCIL TO COMPLETE THIS SHEET
- 2 MARK LIKE THIS
- 3 CHECK THAT YOUR INITIALS AND SURNAME HAS BEEN FILLED IN CORRECTLY
- 4 ENTER YOUR STUDENT NUMBER FROM LEFT TO RIGHT
- 5 CHECK THAT YOUR STUDENT NUMBER HAS BEEN FILLED IN CORRECTLY
- 6 CHECK THAT THE UNIQUE NUMBER HAS BEEN FILLED IN CORRECTLY
- 7 CHECK THAT ONLY ONE ANSWER PER QUESTION HAS BEEN MARKED
- 8 DO NOT FOLD

BELANGRIK

- 1 GEBUIK SLEGS N HB-POTLOOD OM HIERDIE BLAD TE VOLTOOI
- 2 MERK AS VOLG
- 3 KONTROLEER DAT U VOORLETTERS EN VAN REG INGEVUL IS
- 4 VUL U STUDENTENOMMER VAN LINKS NA REGS IN
- 5 KONTROLEER DAT U DIE KORREKTE STUDENTENOMMER VERSTREK HET
- 6 KONTROLEER DAT DIE UNIEKE NOMMER REG INGEVUL IS
- 7 MAAK SEKER DAT NET EEN ALTERNATIEF PER VRAAG GEMERK IS
- 8 MOENIE VOU NIE

PART 2 (ANSWERS/ANTWOORDE) DEEL 2

1 c1 c2 c3 c4 c5
2 c1 c2 c3 c4 c5
3 c1 c2 c3 c4 c5
4 c1 c2 c3 c4 c5
5 c1 c2 c3 c4 c5
6 c1 c2 c3 c4 c5
7 c1 c2 c3 c4 c5
8 c1 c2 c3 c4 c5
9 c1 c2 c3 c4 c5
10 c1 c2 c3 c4 c5
11 c1 c2 c3 c4 c5
12 c1 c2 c3 c4 c5
13 c1 c2 c3 c4 c5
14 c1 c2 c3 c4 c5
15 c1 c2 c3 c4 c5
16 c1 c2 c3 c4 c5
17 c1 c2 c3 c4 c5
18 c1 c2 c3 c4 c5
19 c1 c2 c3 c4 c5
20 c1 c2 c3 c4 c5
21 c1 c2 c3 c4 c5
22 c1 c2 c3 c4 c5
23 c1 c2 c3 c4 c5
24 c1 c2 c3 c4 c5
25 c1 c2 c3 c4 c5
26 c1 c2 c3 c4 c5
27 c1 c2 c3 c4 c5
28 c1 c2 c3 c4 c5
29 c1 c2 c3 c4 c5
30 c1 c2 c3 c4 c5
31 c1 c2 c3 c4 c5
32 c1 c2 c3 c4 c5
33 c1 c2 c3 c4 c5
34 c1 c2 c3 c4 c5
35 c1 c2 c3 c4 c5

36 c1 c2 c3 c4 c5
37 c1 c2 c3 c4 c5
38 c1 c2 c3 c4 c5
39 c1 c2 c3 c4 c5
40 c1 c2 c3 c4 c5
41 c1 c2 c3 c4 c5
42 c1 c2 c3 c4 c5
43 c1 c2 c3 c4 c5
44 c1 c2 c3 c4 c5
45 c1 c2 c3 c4 c5
46 c1 c2 c3 c4 c5
47 c1 c2 c3 c4 c5
48 c1 c2 c3 c4 c5
49 c1 c2 c3 c4 c5
50 c1 c2 c3 c4 c5
51 c1 c2 c3 c4 c5
52 c1 c2 c3 c4 c5
53 c1 c2 c3 c4 c5
54 c1 c2 c3 c4 c5
55 c1 c2 c3 c4 c5
56 c1 c2 c3 c4 c5
57 c1 c2 c3 c4 c5
58 c1 c2 c3 c4 c5
59 c1 c2 c3 c4 c5
60 c1 c2 c3 c4 c5
61 c1 c2 c3 c4 c5
62 c1 c2 c3 c4 c5
63 c1 c2 c3 c4 c5
64 c1 c2 c3 c4 c5
65 c1 c2 c3 c4 c5
66 c1 c2 c3 c4 c5
67 c1 c2 c3 c4 c5
68 c1 c2 c3 c4 c5
69 c1 c2 c3 c4 c5
70 c1 c2 c3 c4 c5

71 c1 c2 c3 c4 c5
72 c1 c2 c3 c4 c5
73 c1 c2 c3 c4 c5
74 c1 c2 c3 c4 c5
75 c1 c2 c3 c4 c5
76 c1 c2 c3 c4 c5
77 c1 c2 c3 c4 c5
78 c1 c2 c3 c4 c5
79 c1 c2 c3 c4 c5
80 c1 c2 c3 c4 c5
81 c1 c2 c3 c4 c5
82 c1 c2 c3 c4 c5
83 c1 c2 c3 c4 c5
84 c1 c2 c3 c4 c5
85 c1 c2 c3 c4 c5
86 c1 c2 c3 c4 c5
87 c1 c2 c3 c4 c5
88 c1 c2 c3 c4 c5
89 c1 c2 c3 c4 c5
90 c1 c2 c3 c4 c5
91 c1 c2 c3 c4 c5
92 c1 c2 c3 c4 c5
93 c1 c2 c3 c4 c5
94 c1 c2 c3 c4 c5
95 c1 c2 c3 c4 c5
96 c1 c2 c3 c4 c5
97 c1 c2 c3 c4 c5
98 c1 c2 c3 c4 c5
99 c1 c2 c3 c4 c5
100 c1 c2 c3 c4 c5
101 c1 c2 c3 c4 c5
102 c1 c2 c3 c4 c5
103 c1 c2 c3 c4 c5
104 c1 c2 c3 c4 c5
105 c1 c2 c3 c4 c5

106 c1 c2 c3 c4 c5
107 c1 c2 c3 c4 c5
108 c1 c2 c3 c4 c5
109 c1 c2 c3 c4 c5
110 c1 c2 c3 c4 c5
111 c1 c2 c3 c4 c5
112 c1 c2 c3 c4 c5
113 c1 c2 c3 c4 c5
114 c1 c2 c3 c4 c5
115 c1 c2 c3 c4 c5
116 c1 c2 c3 c4 c5
117 c1 c2 c3 c4 c5
118 c1 c2 c3 c4 c5
119 c1 c2 c3 c4 c5
120 c1 c2 c3 c4 c5
121 c1 c2 c3 c4 c5
122 c1 c2 c3 c4 c5
123 c1 c2 c3 c4 c5
124 c1 c2 c3 c4 c5
125 c1 c2 c3 c4 c5
126 c1 c2 c3 c4 c5
127 c1 c2 c3 c4 c5
128 c1 c2 c3 c4 c5
129 c1 c2 c3 c4 c5
130 c1 c2 c3 c4 c5
131 c1 c2 c3 c4 c5
132 c1 c2 c3 c4 c5
133 c1 c2 c3 c4 c5
134 c1 c2 c3 c4 c5
135 c1 c2 c3 c4 c5
136 c1 c2 c3 c4 c5
137 c1 c2 c3 c4 c5
138 c1 c2 c3 c4 c5
139 c1 c2 c3 c4 c5
140 c1 c2 c3 c4 c5

Specimen only