

APY1501

(470541)

May/June 2013

**THE ANTHROPOLOGICAL STUDY OF CULTURE IN A MULTICULTURAL
CONTEXT**

Duration 2 Hours

60 Marks

EXAMINERS

FIRST

SECOND

MR GH MAREE

PROF S HERSELMAN

Closed book examination

This examination question paper remains the property of the University of South Africa and may not be removed from the examination venue

This paper consists of 15 pages **PLUS** instructions for the completion of a mark reading sheet

**PLEASE COMPLETE THE ATTENDANCE REGISTER ON THE BACK PAGE, TEAR OFF
AND HAND TO THE INVIGILATOR**

- 1 Answer **ALL** the questions Fill in your answers on the **MARK READING SHEET**
- 2 **ONLY ONE** option per multiple-choice question must be selected **NO MARKS** will be given if more than one option is included in an answer
- 3 All multiple-choice questions count **ONE MARK PER QUESTION**

QUESTION 1

Indicate the option that **CORRECTLY** completes the following statement Anthropology as an independent discipline is distinguished from other disciplines which study human life by the fact that anthropology is concerned with the

- 1 study of human communities of prehistoric and historic times
- 2 study of particular aspects of human existence
- 3 classification of people in terms of their inferiority and superiority
- 4 entire human condition

QUESTION 2

Which of the following **best** describes anthropology as a comprehensive discipline?

- 1 A study of human cultural diversity worldwide
- 2 A study of human biological diversity worldwide
- 3 A scientific study of human diversity worldwide and throughout time
- 4 A study of human diversity worldwide and throughout time

QUESTION 3

Indicate the option that **CORRECTLY** completes the following statement Linguistic anthropologists

- 1 study societies to understand how cultural phenomena are expressed verbally
- 2 mainly focus attention on the evolution of languages in prehistorical societies
- 3 study relations between members of a language group in terms of culture
- 4 mainly focus on the influence of genetic factors on the development of language

QUESTION 4

Indicate the option that **CORRECTLY** completes the following statement As a subfield of anthropology, studies the physical adaptation of human populations to their environment

- 1 linguistic anthropology
- 2 archaeology
- 3 sociocultural anthropology
- 4 biological anthropology

QUESTION 5

Indicate the option that **CORRECTLY** completes the following statement An **holistic approach** to the study of culture means that anthropologists

- 1 attempt to obtain an overall impression of the development of culture
- 2 draw generalisations about the human condition
- 3 study the cultural systems of societies within a global cultural pattern
- 4 study all facets of human life, including the environmental factors to which people must adapt for survival

QUESTION 6

Indicate the option that **CORRECTLY** completes the following statement The **most important** sources of information on a particular sociocultural system are

- 1 people at grassroots level of the society being studied
- 2 statistical surveys and questionnaires
- 3 key informants (experts) on the history and language being studied
- 4 constituent groupings, associations and organisations of the society being studied

QUESTION 7

Indicate the option that **CORRECTLY** completes the following statement **Participant observation** means that an anthropologist should

- 1 participate in the sense that he/she should commit his/her thoughts and emotions to the real-world fieldwork setting, and record his/her observations in an objective, scientific and systematic manner
- 2 become an active participant in the daily life of the community concerned and report on his/her experiences from his/her own cultural perspective
- 3 be a careful observer of the customs and daily life of a community to enable him/her to understand and record the relevant activities and events
- 4 observe more than participate in a conscious attempt to obtain concise, objective answers to research questions to enable anthropological theorisation

QUESTION 8

Which of the following statements regarding **ethnography and/or ethnographic research** are **CORRECT**?

- a Contemporary anthropologists regard ethnographic research as the mere descriptive study of human societies
- b Ethnography is both the process and the product of fieldwork
- c Most contemporary anthropologists accept the criticism that ethnography is a form of imperialism
- d To understand social relations in a community, ethnographic research may include personal network analysis of informants

Choose the **correct** option

- 1 b, c and d
- 2 a and c
- 3 a, b, c and d
- 4 b and d

QUESTION 9

Indicate the option that **CORRECTLY** completes the following statement. If an excessively **cultural relativistic** approach is followed in anthropology

- 1 cultural practices that have a harmful impact on a society may not be questioned
- 2 the researcher might adopt an ethnocentric approach to the study of people
- 3 statistical data relevant to an investigation might be misinterpreted
- 4 the researcher's beliefs may influence the results of his/her investigation

QUESTION 10

Indicate the option that **CORRECTLY** completes the following statement. The **etic** approach

- 1 aims to understand how the people of a particular society see, hear, speak, think and act
- 2 is the same as ethnocentrism because it gives a perspective from outside a culture
- 3 is a recently developed, subjective research strategy to determine the attitudes of people during research
- 4 is a research strategy that gives priority to the interpretations of an anthropologist as researcher

QUESTION 11

Indicate the option that **CORRECTLY** completes the following statement. The term _____ refers to the tendency to judge another society by the values and the standards of one's own culture

- 1 multivocality
- 2 reflexivity
- 3 ethnicity
- 4 ethnocentrism

QUESTION 12

Which one of the following **best** illustrates how an application of the concept of cultural relativism influences the work of anthropologists?

- 1 An anthropologist determines which one of two social groups has developed a more effective approach to combating crime
- 2 An anthropologist compares the social structure and social behaviour of different social groups
- 3 An anthropologist interprets the behaviour of people in terms of the sociocultural context in which the behaviour is found
- 4 An anthropologist demonstrates how a social group's culture has been influenced by other social groups with which it has been in contact

QUESTION 13

Indicate the option that **CORRECTLY** completes the following statement All of the following perspectives or approaches are characteristic of anthropology, **EXCEPT**

- 1 a contextual approach which takes the entire sociocultural and environmental settings of a human population, as well as the dynamic interaction between them into account
- 2 a comparative approach that brings similarities and differences between human populations to the fore
- 3 the concept of sociocultural systems that anthropologists use to try to understand the ways in which people organise their lives
- 4 a research method which enables the anthropologist to produce quantitative data by means of statistical methods, surveys and questionnaires

QUESTION 14

Indicate the option that **CORRECTLY** completes the following statement Africa is currently failing to produce enough food to feed its own population Problems associated with and reasons for this failure which have been identified, include all of the following **EXCEPT**

- 1 a lack of proper leadership
- 2 a widening gap between the rich and the poor
- 3 a need for constitutional reform
- 4 a lack of training among subsistence farmers regarding improved crop production

QUESTION 15

Indicate the option that **CORRECTLY** completes the following statement Based on sound anthropological knowledge of the local people and the natural environment, the famine in the Sahel region of Africa in the 1960s could have been avoided if the

- 1 government planners had concentrated on increasing the number of wells in the region
- 2 nomadic pastoralists of the Sahel had been encouraged to increase the size of their herds
- 3 governments had included knowledge of the culture and ecology of the people concerned in their planning
- 4 international relief programmes that were launched to alleviate the crisis, had supplied food relief in the form of grain

QUESTION 16

Indicate the option that **CORRECTLY** completes the following statement The species _____ lived in camps of piled stone or bushes, had a highly developed toolkit and, possibly, the use of fire

- 1 *Australopithecus afarensis*
- 2 *Homo erectus*
- 3 *Australopithecus africanus*
- 4 *Homo habilis*

QUESTION 17

Indicate the options that **CORRECTLY** complete the following statement The hominid line includes

- a *Australopithecus afarensis*
- b *Homo erectus*
- c *Homo habilis*
- d *Homo sapiens*
- e *Australopithecus africanus*

Choose the **CORRECT** combination

- 1 b, c, d and e
- 2 c and d
- 3 a, b, c, d and e
- 4 a, c and d
- 5 a, b and e

QUESTION 18

Indicate the option that **CORRECTLY** completes the following statement Anthropologists generally agree that the concept of **race**

- 1 comprises a human population differing geographically, morphologically or genetically from other human populations
- 2 cannot be defined biologically and regard perceptions of race as sociocultural constructions
- 3 comprises a human population within which the genetic variation is less than the genetic variation between the population and other human populations
- 4 explains the innate behavioural characteristics which are attributed to various human populations

QUESTION 19

According to **Dan Brown**, which of the following body modifications represents a **rite of passage** shared by millions of people in the modern age?

- 1 Female genital mutilation
- 2 Tattooing
- 3 Body piercing
- 4 Dieting

QUESTION 20

Which of the following statements about **images and perceptions of the body** are **CORRECT**?

- a In communities all over the world women display male wealth and prestige on and by their bodies
- b Tattooing is a means by which humans establish themselves as sociocultural beings
- c Human bodies are influenced by their sociocultural systems and contexts
- d Circumcision is universally used to signify status and prestige

Choose the **CORRECT** option

- 1 a, b and d
- 2 c and d
- 3 a, b and c
- 4 a and c
- 5 a, c and d

QUESTION 21

Indicate the option that **CORRECTLY** completes the following statement **Collective initiation for girls** in South Africa occurs among

- 1 Zulu-speaking communities
- 2 Ndebele-speaking communities
- 3 Xhosa-speaking communities
- 4 Tsonga-speaking communities

QUESTION 22

Which of the following statements regarding **body language** are **CORRECT**?

- a The study of people's perceptions and use of space is known as proxemics
- b Nonverbal signals complement spoken messages and thus cannot contradict such messages
- c In Spain, Portugal and the USA people stand close to each other, and even touch, when talking
- d Societies world-wide have different norms with regard to the use of personal space

Choose the **correct** option

- 1 a, b and d
- 2 a and c
- 3 a, b, c, and d
- 4 a and d
- 5 b, c and d

QUESTION 23

Indicate the option that **CORRECTLY** completes the following statement The British anthropologist, Sir Edward Tylor, who formulated one of the first definitions of the concept of culture from an anthropological perspective, defined it as

- 1 that complex whole which includes knowledge, beliefs, arts, morals, law, custom and any other capabilities and habits acquired by man as a member of society
- 2 the ideas, thought patterns, values, attitudes and perceptions of members of society that direct and influence their behaviour
- 3 sets of relationships and behaviour patterns which are established by interacting individuals in a particular sociocultural context
- 4 the works and practices of intellectual and especially artistic activity

QUESTION 24

Indicate the option that **CORRECTLY** completes the following statement. Humans are set apart from animals on the basis that they, in contrast to animals,

- 1 use tools to adapt to their environment
- 2 have the ability to communicate symbolically
- 3 must be taught how to behave
- 4 share their behaviour with members of their group

QUESTION 25

Which one of the following **best** explains the anthropological concept of **culture**?

- 1 A society's system of thought, behaviour, values and material creations that come into being through close interaction with the natural environment
- 2 The transmission of the accumulated knowledge, rules of behaviour and values of a society from one generation to the next
- 3 Phenomena such as opera, sculpture, writing and other creative achievements associated with civilisations
- 4 Political, economic and religious processes related to the rich variety of forms of society across the world

QUESTION 26

Which one of the following statements regarding **gender and/or sexuality** is **CORRECT**?

- 1 In some societies the construction of gender identity is based on density of flesh and bone
- 2 The increasing objectification of male bodies is indicative of a shift in the sociocultural ideal of beauty from women to men
- 3 Most societies distinguish three gender categories, namely male, female and homosexual
- 4 It is generally accepted that gender is a set of variable social constructions which is placed on differentiated bodies

QUESTION 27

Which of the following cultural phenomena is/are a **key signifier or marker** of ethnic identity?

- 1 Language
- 2 Art
- 3 Food
- 4 Clothes

QUESTION 28

Which of the following statements regarding the construction of individual and group identities is/are **CORRECT**?

- a Identity is not a static category but a continuous process and more accurately could be called identification
- b "Politics of identity" refers to a process through which a government attempts to mould ethnic identities into relatively fixed frames so that they can act politically
- c "Identity politics" refers to a process in which ethnic and racial identities contest the structures of power that constrain them
- d Physical characteristics are important in defining an ethnic group

Choose the **correct** option

- 1 a and c
- 2 a, b, c and d
- 3 a and d
- 4 b, c and d
- 5 a

QUESTION 29

Indicate the option that **CORRECTLY** completes the following statement The appointment or recognition of a leader or an authoritative body which makes rules and laws and which is accepted and obeyed gives rise to a community's

- 1 social system
- 2 legal system
- 3 political system
- 4 military system

QUESTION 30

Which of the following may be used to distinguish an **ethnic group**?

- a A common geographical area
- b A group's own sense of identity
- c A common language
- d Songs

Choose the **correct** option

- 1 b and d
- 2 c and d
- 3 a, b, c and d
- 4 b, c and d
- 5 a, b and c

QUESTION 31

Indicate the option that **CORRECTLY** completes the following statement. For anthropologists to gain insight into the basic ways in which people organise their relationships in a society, they study the society's

- 1 political organisation
- 2 kinship system
- 3 judicial system
- 4 religious system

QUESTION 32

Indicate the option that **CORRECTLY** completes the following statement. In anthropology the term **effective kin** refers to

- 1 all kin who can be indicated genealogically in a family tree
- 2 only those kin with whom a person actually has some or other relationship
- 3 only those kin who can inherit property in accordance with their genealogical rank
- 4 all kin who trace their descent from a common ancestor or ancestress

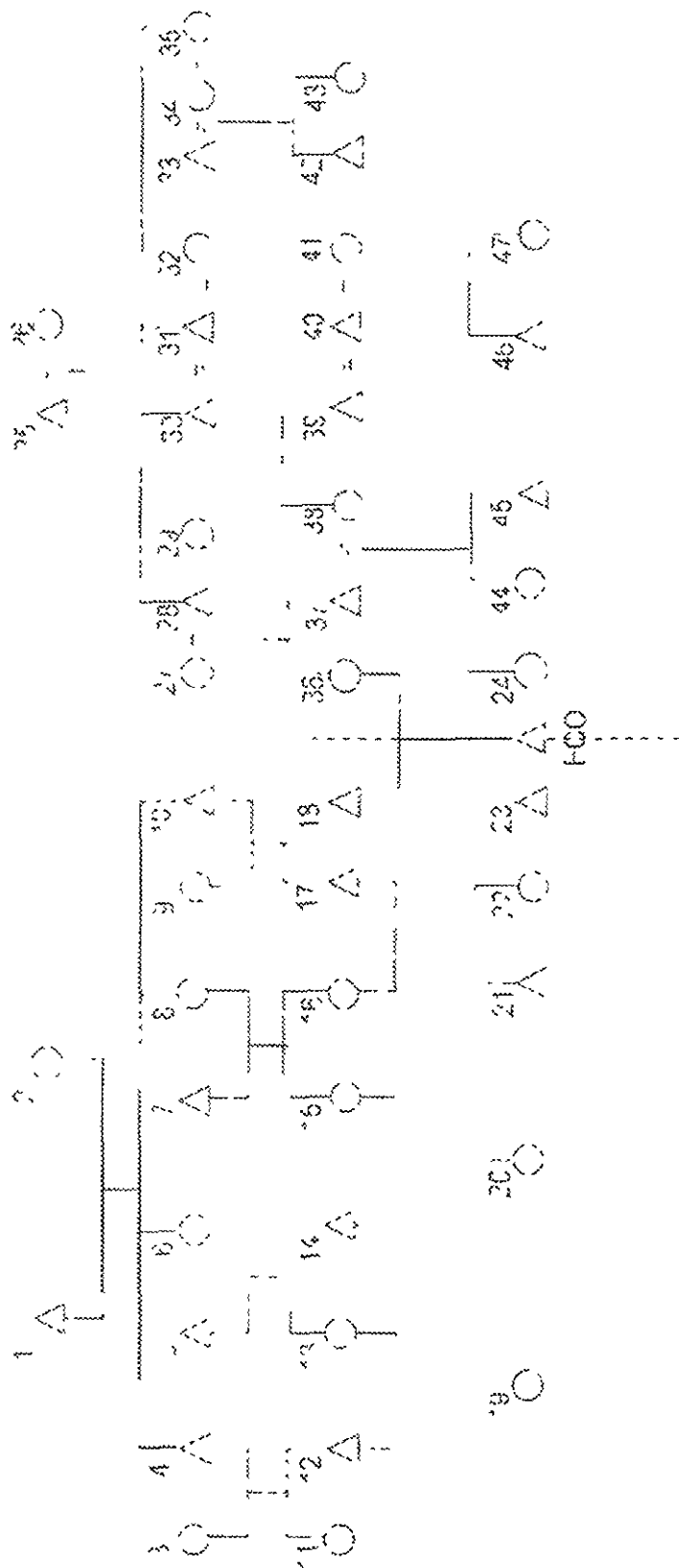
QUESTION 33

Members of these descent categories cannot indicate how they are genealogically related. They assume that they are related because they share a common name. Members are forbidden to marry each other because it is regarded as incest. They do not all come together for a specific purpose.

To which descent category among the Xhosa does this description apply?

- 1 Lineages
- 2 Totemic groups
- 3 Phratries
- 4 Clans

| |
|--|
| ANSWER QUESTIONS 34 TO 41 WITH REFERENCE TO THE FOLLOWING DIAGRAM |
|--|



QUESTION 34

Who is the **apical ancestor of the matrilineage** to whom 23 belongs?

- 1 26
- 2 25
- 3 27
- 4 29

QUESTION 35

Which of the following indicates the **relationship of 15 and 9 CORRECTLY?**

- 1 FaBrWi
- 2 MoSiHu
- 3 FaSiDa
- 4 MoBrWi

QUESTION 36

Through whom would Ego trace descent in a **cognatic descent system?**

- 1 1, 4, 5, 7 and 10 as well as 25, 28, 30, 31 and 34
- 2 36, 37, 27, 28, 29, 25 and 26
- 3 18, 10, 9, 1 and 2 as well as 36, 28, 27, 25 and 26
- 4 18, 10, and 1 as well as 36, 27, 29 and 26

QUESTION 37

Who would exercise authority over **EGO** and **24** if they are members of a group with a **matrilineal descent system?**

- 1 18
- 2 37
- 3 27
- 4 36

QUESTION 38

From the options below, select the **relationship** that **CORRECTLY** completes the following statement

38 is a(n) of **43**

- 1 parallel-cousin
- 2 matrilineal kin
- 3 cross-cousin
- 4 affine

QUESTION 39

Which of the following persons is a **cross-cousin** of **20?**

- 1 21
- 2 19
- 3 EGO
- 4 11

QUESTION 40

Which of the following represents a **parallel-cousin marriage**? The union between

- 1 31 and 32
- 2 16 and 17
- 3 12 and 13
- 4 14 and 15

QUESTION 41

Indicate the option that **CORRECTLY** completes the following statement. If **EGO** and **24** belong to different descent groups, their system of descent reckoning is known as

- 1 cognatic or bilateral
- 2 double
- 3 matrilineal
- 4 parallel
- 5 patrilineal

QUESTION 42

Indicate the option that **CORRECTLY** completes the following statement. The term **matronymy** means that

- 1 inheritance of property is through the mother
- 2 residence after marriage is with the mother's kin group
- 3 a man is succeeded first by his Br and then by his SiSo
- 4 children bear the family name of the mother

QUESTION 43

Which one of the following statements concerning **exogamy** is **CORRECT**?

- 1 Exogamy is synonymous with incest because both prohibit marriage between certain categories of kin in societies
- 2 The rules of exogamy regulate and preserve the sexual relations between clan and lineage members
- 3 Exogamy is a prohibition on marriage within a particular group such as a clan or a lineage
- 4 Exogamy is a phenomenon which is found among all Xhosa- and Sotho-speaking groups of South Africa

QUESTION 44

Which one of the following applies to a **leviratic union** among indigenous groups in South Africa?

- 1 It is a continuation of a deceased man's marriage by his brother or close male relative
- 2 It is practised by all indigenous groups in South Africa
- 3 A deceased man's marriage must first be dissolved before a leviratic union can be concluded
- 4 It is concluded on behalf of a man who died before he could marry

QUESTION 45

Indicate the option that **CORRECTLY** completes the following statement. All of the following form part of the **contractual factors** of marriage between **members of indigenous groups in South Africa EXCEPT**

- 1 transfer of a dowry from the bride's family to the bride herself
- 2 transfer of marriage goods from the groom and his kin group to the bride's father
- 3 bride service for a few months or years before or after the marriage
- 4 the marriage agreement

QUESTION 46

Which one of the **patterns of residence after marriage** is usually practised in patrilineal societies?

- 1 Uxorilocal residence
- 2 Virilocal residence
- 3 Avunculocal residence
- 4 Neolocal residence
- 5 Bilocal residence

QUESTION 47

Indicate the option that **CORRECTLY** completes the following statement. All of the following are possible grounds for dissolution of marriage among **indigenous groups in South Africa, EXCEPT**

- 1 accusations of witchcraft
- 2 ill-treatment
- 3 the death of the husband
- 4 adultery

QUESTION 48

Indicate the options that **CORRECTLY** complete the following statement. Totemism

- a is only associated with unilineal descent groups
- b is related to the namegiving of clans and lineages
- c may be closely linked to the well-being of descent groups
- d is always associated with prohibitions and avoidances (taboos)

Choose the **correct** option

- 1 b and c
- 2 a and d
- 3 b, c and d
- 4 a, b, c and d

QUESTION 49

Indicate the option that **CORRECTLY** completes the following statement. The view that religion originated in response to the universal need to find comfort in times of crises, was formulated by

- 1 Emile Durkheim
- 2 Edward Tylor
- 3 Bronislaw Malinowski
- 4 Anthony Wallace

QUESTION 50

Indicate the option that **CORRECTLY** completes the following statement The definition of religion as “a kind of human behaviour – which can be classified as belief and ritual concerned with supernatural beings, powers and forces” was formulated by

- 1 Sigmund Freud
- 2 Anthony Wallace
- 3 Edward Tylor
- 4 Melvin Ember

QUESTION 51

Indicate the option that **CORRECTLY** completes the following statement In anthropological theory the concept of **myth** is used to refer to

- 1 tales of fictitious events based on irrational ideas
- 2 a primitive form of scientific thinking
- 3 tales of cosmic origins and their meanings
- 4 oral tradition of verifiable historical events

QUESTION 52

Which one of the following statements **CORRECTLY** describes a **talisman**?

- 1 It is believed to become the temporary abode of spirits since it contains various ingredients which induce spirits to dwell within it, and is used as protection against witchcraft or for securing success in war
- 2 It may be worn on the body or placed in various positions where its influence is needed, it is used for protection against misfortune as well as for securing strength, health and good fortune
- 3 It refers to an impersonal power, is associated with certain people and objects, it may be used for good or evil purposes, but people must know how to employ it otherwise it can be harmful to them

QUESTION 53

Indicate the option that **CORRECTLY** completes the following statement When a person is possessed by a spirit and communicates with other people in a strange voice or language, we refer to this as

- 1 mediumship
- 2 negative possession
- 3 positive possession
- 4 trance

QUESTION 54

Which one of the following religious systems is characterised by **polytheistic beliefs**?

- 1 Christianity
- 2 Islam
- 3 Hinduism
- 4 Judaism

QUESTION 55

Indicate the option that **CORRECTLY** completes the following statement **Religion** as distinguished from magic is associated with

- 1 an impersonal power and an attitude of dependence
- 2 personalised spiritual beings and an attitude of manipulation
- 3 an impersonal power and an attitude of manipulation
- 4 personalised spiritual beings and an attitude of dependence

QUESTION 56

Which one of the following ritual leaders is commanded by the supernatural to speak on its behalf, 'announcing the will of the supernatural'?

- 1 Priest
- 2 Shaman
- 3 Prophet
- 4 Traditional healer
- 5 Diviner

QUESTION 57

Which one of the following includes phenomena that are characteristic of the *malopo-cult*?

- 1 Possession - purification - dancing
- 2 Trance - mediumship - familiars
- 3 Purification - fetishism - mediumship
- 4 Dancing - mana - purification

QUESTION 58

Which one of the following forms the **focal point of the treatment of an ill *malopo*-medium?**

- 1 The drinking of traditional beer
- 2 The performance of dances
- 3 Sacrifices to the ancestral spirits
- 4 Purification rituals

QUESTION 59

Indicate the option that **CORRECTLY** completes the following statement According to the Gcaleka of the Eastern Cape, ritual impurity ensues when a

- 1 woman enters the cattle kraal
- 2 menstruating woman touches a pig
- 3 person touches fatty meat
- 4 man enters the female side of the domestic dwelling

QUESTION 60

Indicate the option that **CORRECTLY** completes the following statement Religious fundamentalism

- 1 is regarded as a contemporary form of modernism
- 2 is represented in the dramatic growth of evangelical denominations in the United States
- 3 rejects the contemporary divide between a sacred view of life and the secular world
- 4 essentially rejects science, but welcomes the use of modern technology

TOTAL [60]

PART 1 (GENERAL/ALGEMEEN) DEEL 1

STUDY UNIT e.g. PSY100-X
 STUDIE EENHEID bv. PSY100 X

| | | | | | | | | | |
|--|--|--|--|--|--|--|--|--|--|
| | | | | | | | | | |
|--|--|--|--|--|--|--|--|--|--|

PAPER NUMBER
 VRAESTELNOMMER

| | | | | | |
|--|--|--|--|--|--|
| | | | | | |
|--|--|--|--|--|--|

STUDENT NUMBER
 STUDENTENOMMER

| | | | | | | | | | |
|--|--|--|--|--|--|--|--|--|--|
| | | | | | | | | | |
|--|--|--|--|--|--|--|--|--|--|

| | | | | | | | |
|----|----|----|----|----|----|----|----|
| r0 | r0 | r0 | r0 | r0 | r0 | r0 | r0 |
| r1 | r1 | r1 | r1 | r1 | r1 | r1 | r1 |
| r2 | r2 | r2 | r2 | r2 | r2 | r2 | r2 |
| r3 | r3 | r3 | r3 | r3 | r3 | r3 | r3 |
| r4 | r4 | r4 | r4 | r4 | r4 | r4 | r4 |
| r5 | r5 | r5 | r5 | r5 | r5 | r5 | r5 |
| r6 | r6 | r6 | r6 | r6 | r6 | r6 | r6 |
| r7 | r7 | r7 | r7 | r7 | r7 | r7 | r7 |
| r8 | r8 | r8 | r8 | r8 | r8 | r8 | r8 |
| r9 | r9 | r9 | r9 | r9 | r9 | r9 | r9 |

INITIALS AND SURNAME
 VOORLETTERS EN VAN

DATE OF EXAMINATION
 DATUM VAN EKSAMEN

EXAMINATION CENTRE (E.G. PRETORIA)
 EKSAMENSENTRUM (BV. PRETORIA)

UNIQUE PAPER NO
 UNIEKE VRAESTEL NR

| | | | | | |
|--|--|--|--|--|--|
| | | | | | |
|--|--|--|--|--|--|

| | | | | | | | |
|----|----|----|----|----|----|----|----|
| r0 | r0 | r0 | r0 | r0 | r0 | r0 | r0 |
| r1 | r1 | r1 | r1 | r1 | r1 | r1 | r1 |
| r2 | r2 | r2 | r2 | r2 | r2 | r2 | r2 |
| r3 | r3 | r3 | r3 | r3 | r3 | r3 | r3 |
| r4 | r4 | r4 | r4 | r4 | r4 | r4 | r4 |
| r5 | r5 | r5 | r5 | r5 | r5 | r5 | r5 |
| r6 | r6 | r6 | r6 | r6 | r6 | r6 | r6 |
| r7 | r7 | r7 | r7 | r7 | r7 | r7 | r7 |
| r8 | r8 | r8 | r8 | r8 | r8 | r8 | r8 |
| r9 | r9 | r9 | r9 | r9 | r9 | r9 | r9 |

For use by examination invigilator
 Vir gebruik deur eksamenopsiener

IMPORTANT

- 1 USE ONLY AN HB PENCIL TO COMPLETE THIS SHEET
- 2 MARK LIKE THIS
- 3 CHECK THAT YOUR INITIALS AND SURNAME HAS BEEN FILLED IN CORRECTLY
- 4 ENTER YOUR STUDENT NUMBER FROM LEFT TO RIGHT
- 5 CHECK THAT YOUR STUDENT NUMBER HAS BEEN FILLED IN CORRECTLY
- 6 CHECK THAT THE UNIQUE NUMBER HAS BEEN FILLED IN CORRECTLY
- 7 CHECK THAT ONLY ONE ANSWER PER QUESTION HAS BEEN MARKED
- 8 DO NOT FOLD

BELANGRIK

- 1 GEBUIK SLEGS N HB POTLOOD OM HIERDIE BLAD TE VOLTOOI
- 2 MERK AS VOLG
- 3 KONTROLEER DAT U VOORLETTERS EN VAN REG INGEVUL IS
- 4 VUL U STUDENTENOMMER VAN LINKS NA REGS IN
- 5 KONTROLEER DAT U DIE KORREKTE STUDENTENOMMER VERSTREK HET
- 6 KONTROLEER DAT DIE UNIEKE NOMMER REG INGEVUL IS
- 7 MAAK SEKER DAT NET EEN ALTERNATIEF PER VRAAG GEMERK IS
- 8 MOENIF VOU NIE

PART 2 (ANSWERS/ANTWOORDE) DEEL 2

| | | | | | |
|----|----|----|----|----|----|
| 1 | r1 | r2 | r3 | r4 | r5 |
| 2 | r1 | r2 | r3 | r4 | r5 |
| 3 | r1 | r2 | r3 | r4 | r5 |
| 4 | r1 | r2 | r3 | r4 | r5 |
| 5 | r1 | r2 | r3 | r4 | r5 |
| 6 | r1 | r2 | r3 | r4 | r5 |
| 7 | r1 | r2 | r3 | r4 | r5 |
| 8 | r1 | r2 | r3 | r4 | r5 |
| 9 | r1 | r2 | r3 | r4 | r5 |
| 10 | r1 | r2 | r3 | r4 | r5 |
| 11 | r1 | r2 | r3 | r4 | r5 |
| 12 | r1 | r2 | r3 | r4 | r5 |
| 13 | r1 | r2 | r3 | r4 | r5 |
| 14 | r1 | r2 | r3 | r4 | r5 |
| 15 | r1 | r2 | r3 | r4 | r5 |
| 16 | r1 | r2 | r3 | r4 | r5 |
| 17 | r1 | r2 | r3 | r4 | r5 |
| 18 | r1 | r2 | r3 | r4 | r5 |
| 19 | r1 | r2 | r3 | r4 | r5 |
| 20 | r1 | r2 | r3 | r4 | r5 |
| 21 | r1 | r2 | r3 | r4 | r5 |
| 22 | r1 | r2 | r3 | r4 | r5 |
| 23 | r1 | r2 | r3 | r4 | r5 |
| 24 | r1 | r2 | r3 | r4 | r5 |
| 25 | r1 | r2 | r3 | r4 | r5 |
| 26 | r1 | r2 | r3 | r4 | r5 |
| 27 | r1 | r2 | r3 | r4 | r5 |
| 28 | r1 | r2 | r3 | r4 | r5 |
| 29 | r1 | r2 | r3 | r4 | r5 |
| 30 | r1 | r2 | r3 | r4 | r5 |
| 31 | r1 | r2 | r3 | r4 | r5 |
| 32 | r1 | r2 | r3 | r4 | r5 |
| 33 | r1 | r2 | r3 | r4 | r5 |
| 34 | r1 | r2 | r3 | r4 | r5 |
| 35 | r1 | r2 | r3 | r4 | r5 |

10

| | | | | | |
|----|----|----|----|----|----|
| 36 | r1 | r2 | r3 | r4 | r5 |
| 37 | r1 | r2 | r3 | r4 | r5 |
| 38 | r1 | r2 | r3 | r4 | r5 |
| 39 | r1 | r2 | r3 | r4 | r5 |
| 40 | r1 | r2 | r3 | r4 | r5 |
| 41 | r1 | r2 | r3 | r4 | r5 |
| 42 | r1 | r2 | r3 | r4 | r5 |
| 43 | r1 | r2 | r3 | r4 | r5 |
| 44 | r1 | r2 | r3 | r4 | r5 |
| 45 | r1 | r2 | r3 | r4 | r5 |
| 46 | r1 | r2 | r3 | r4 | r5 |
| 47 | r1 | r2 | r3 | r4 | r5 |
| 48 | r1 | r2 | r3 | r4 | r5 |
| 49 | r1 | r2 | r3 | r4 | r5 |
| 50 | r1 | r2 | r3 | r4 | r5 |
| 51 | r1 | r2 | r3 | r4 | r5 |
| 52 | r1 | r2 | r3 | r4 | r5 |
| 53 | r1 | r2 | r3 | r4 | r5 |
| 54 | r1 | r2 | r3 | r4 | r5 |
| 55 | r1 | r2 | r3 | r4 | r5 |
| 56 | r1 | r2 | r3 | r4 | r5 |
| 57 | r1 | r2 | r3 | r4 | r5 |
| 58 | r1 | r2 | r3 | r4 | r5 |
| 59 | r1 | r2 | r3 | r4 | r5 |
| 60 | r1 | r2 | r3 | r4 | r5 |
| 61 | r1 | r2 | r3 | r4 | r5 |
| 62 | r1 | r2 | r3 | r4 | r5 |
| 63 | r1 | r2 | r3 | r4 | r5 |
| 64 | r1 | r2 | r3 | r4 | r5 |
| 65 | r1 | r2 | r3 | r4 | r5 |
| 66 | r1 | r2 | r3 | r4 | r5 |
| 67 | r1 | r2 | r3 | r4 | r5 |
| 68 | r1 | r2 | r3 | r4 | r5 |
| 69 | r1 | r2 | r3 | r4 | r5 |
| 70 | r1 | r2 | r3 | r4 | r5 |

| | | | | | |
|-----|----|----|----|----|----|
| 71 | r1 | r2 | r3 | r4 | r5 |
| 72 | r1 | r2 | r3 | r4 | r5 |
| 73 | r1 | r2 | r3 | r4 | r5 |
| 74 | r1 | r2 | r3 | r4 | r5 |
| 75 | r1 | r2 | r3 | r4 | r5 |
| 76 | r1 | r2 | r3 | r4 | r5 |
| 77 | r1 | r2 | r3 | r4 | r5 |
| 78 | r1 | r2 | r3 | r4 | r5 |
| 79 | r1 | r2 | r3 | r4 | r5 |
| 80 | r1 | r2 | r3 | r4 | r5 |
| 81 | r1 | r2 | r3 | r4 | r5 |
| 82 | r1 | r2 | r3 | r4 | r5 |
| 83 | r1 | r2 | r3 | r4 | r5 |
| 84 | r1 | r2 | r3 | r4 | r5 |
| 85 | r1 | r2 | r3 | r4 | r5 |
| 86 | r1 | r2 | r3 | r4 | r5 |
| 87 | r1 | r2 | r3 | r4 | r5 |
| 88 | r1 | r2 | r3 | r4 | r5 |
| 89 | r1 | r2 | r3 | r4 | r5 |
| 90 | r1 | r2 | r3 | r4 | r5 |
| 91 | r1 | r2 | r3 | r4 | r5 |
| 92 | r1 | r2 | r3 | r4 | r5 |
| 93 | r1 | r2 | r3 | r4 | r5 |
| 94 | r1 | r2 | r3 | r4 | r5 |
| 95 | r1 | r2 | r3 | r4 | r5 |
| 96 | r1 | r2 | r3 | r4 | r5 |
| 97 | r1 | r2 | r3 | r4 | r5 |
| 98 | r1 | r2 | r3 | r4 | r5 |
| 99 | r1 | r2 | r3 | r4 | r5 |
| 100 | r1 | r2 | r3 | r4 | r5 |
| 101 | r1 | r2 | r3 | r4 | r5 |
| 102 | r1 | r2 | r3 | r4 | r5 |
| 103 | r1 | r2 | r3 | r4 | r5 |
| 104 | r1 | r2 | r3 | r4 | r5 |
| 105 | r1 | r2 | r3 | r4 | r5 |

| | | | | | |
|-----|----|----|----|----|----|
| 106 | r1 | r2 | r3 | r4 | r5 |
| 107 | r1 | r2 | r3 | r4 | r5 |
| 108 | r1 | r2 | r3 | r4 | r5 |
| 109 | r1 | r2 | r3 | r4 | r5 |
| 110 | r1 | r2 | r3 | r4 | r5 |
| 111 | r1 | r2 | r3 | r4 | r5 |
| 112 | r1 | r2 | r3 | r4 | r5 |
| 113 | r1 | r2 | r3 | r4 | r5 |
| 114 | r1 | r2 | r3 | r4 | r5 |
| 115 | r1 | r2 | r3 | r4 | r5 |
| 116 | r1 | r2 | r3 | r4 | r5 |
| 117 | r1 | r2 | r3 | r4 | r5 |
| 118 | r1 | r2 | r3 | r4 | r5 |
| 119 | r1 | r2 | r3 | r4 | r5 |
| 120 | r1 | r2 | r3 | r4 | r5 |
| 121 | r1 | r2 | r3 | r4 | r5 |
| 122 | r1 | r2 | r3 | r4 | r5 |
| 123 | r1 | r2 | r3 | r4 | r5 |
| 124 | r1 | r2 | r3 | r4 | r5 |
| 125 | r1 | r2 | r3 | r4 | r5 |
| 126 | r1 | r2 | r3 | r4 | r5 |
| 127 | r1 | r2 | r3 | r4 | r5 |
| 128 | r1 | r2 | r3 | r4 | r5 |
| 129 | r1 | r2 | r3 | r4 | r5 |
| 130 | r1 | r2 | r3 | r4 | r5 |
| 131 | r1 | r2 | r3 | r4 | r5 |
| 132 | r1 | r2 | r3 | r4 | r5 |
| 133 | r1 | r2 | r3 | r4 | r5 |
| 134 | r1 | r2 | r3 | r4 | r5 |
| 135 | r1 | r2 | r3 | r4 | r5 |
| 136 | r1 | r2 | r3 | r4 | r5 |
| 137 | r1 | r2 | r3 | r4 | r5 |
| 138 | r1 | r2 | r3 | r4 | r5 |
| 139 | r1 | r2 | r3 | r4 | r5 |
| 140 | r1 | r2 | r3 | r4 | r5 |

Specimen only